

# TECHNICAL DATA SHEET

19 - 07 - 2012

TDST DOC

**Designation** Micro-receiver for roller shutter

**Reference** 1811244

**Range** RTS

## FUNCTIONS

### Product principle:

Radio receiver for Roller Shutter

### Usage:

To equip standard motors with the radio SOMFY RTS while keeping the existing switch as a local command

### Installation:

2 options for installation =

- Integration into a flush mounting box\* behind the switch  
(Scheme represented on the right)

- Integration in a junction box

Setting with RTS ergonomics (Prog - Prog)

### FUNCTIONS

Command from the transmitter:

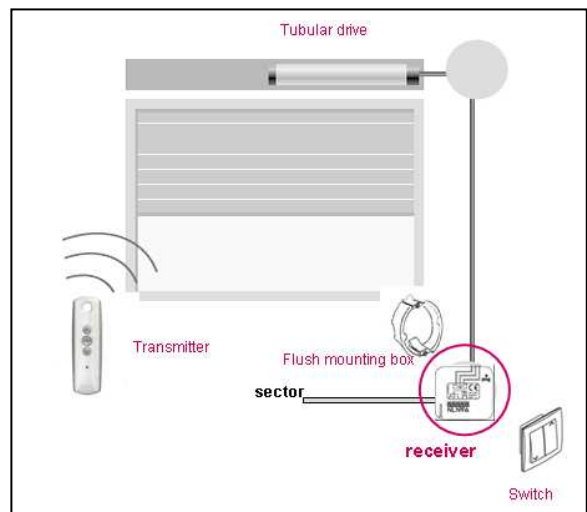
- Up, Down, Stop, 2 Intermediary Positions :
  - Up favorite position
  - Down favorite position

Command from the switch : Up , Down, Stop\*\*

Sun function

\*Depth 50 mm boxes recommended (more details in compatibility results part)

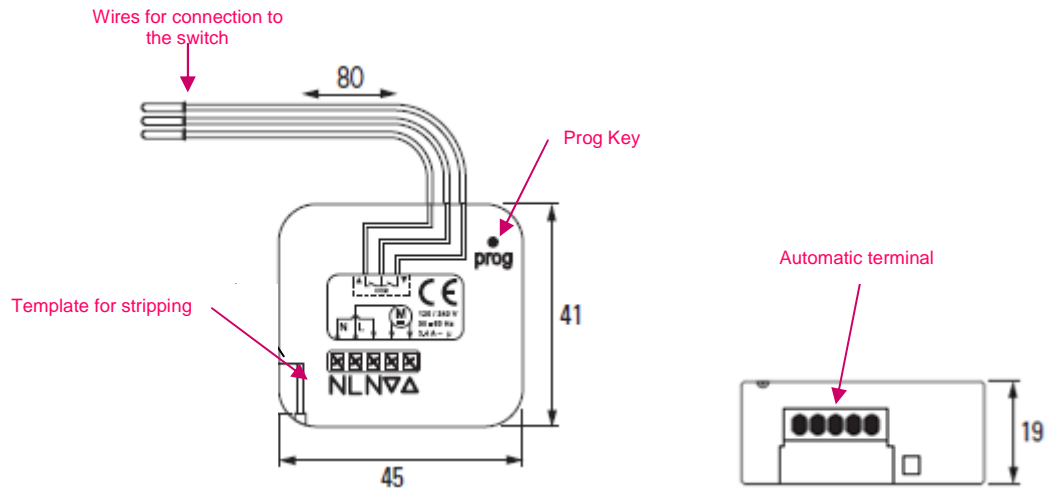
\*\* Command stop linked to the ergonomics of the switch used (stable or unstable)



## TECHNICAL SPECIFICATIONS

Box	Material	ABS PA66 chargé
	Color	White
	Size	Module 45 x 41 x 19 mm Packaging 89 x 89 x 40 mm
	Protection factor against solid & splashproof Class	IP 20 (After installation) III
Power supply	Power supply	120-230V / 50-60Hz
	Standby Consumption	0.5W
Radio frequency Range		433.42 MHz 200m in free field 20m between 2 reinforced concrete walls
Protocol		RTS
Antenna		Integrated
Temperature range	Storing	-30°C / +70°C
	Working	- 20°C / +55°C
Drop test		Using: at 20°C 1/face (height : 1.2m)
Weight		70g (packaging with receiver) 38g Receiver
Standard (CE)		
Compliance with EN60669-1 / 60669-2-1		
(Standard for Switches for household and similar fixed electrical installations)		
UL 508 (in progress)		

## DESCRIPTION



## COMPATIBILITIES

### **Motor compatibility:**

Wired motors ((I<3A-240V ou I<3,4A-120V)  
230V/ 50-60 Hz installations = SOMFY wired motors:  $\varnothing 40$ ,  $\varnothing 50$ ,  $\varnothing 60$   
120V/ 50-60Hz installations = SOMFY wired motors:  $\varnothing 40$ ,  $\varnothing 50$ ,  $\varnothing 60$

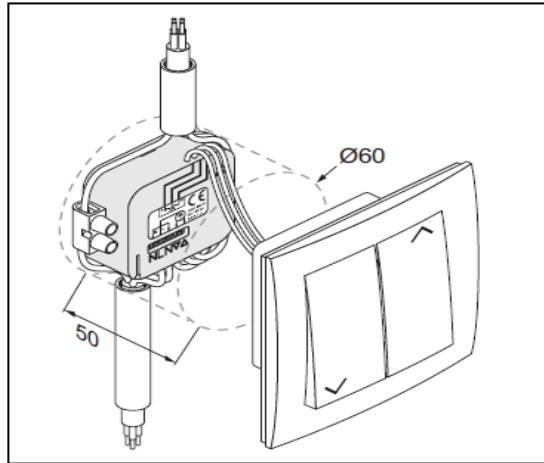
### **Radio compatibility:**

All SOMFY RTS transmitter (sequential included) – up to 12 transmitters  
Sun sensors – Up to 3 sensors

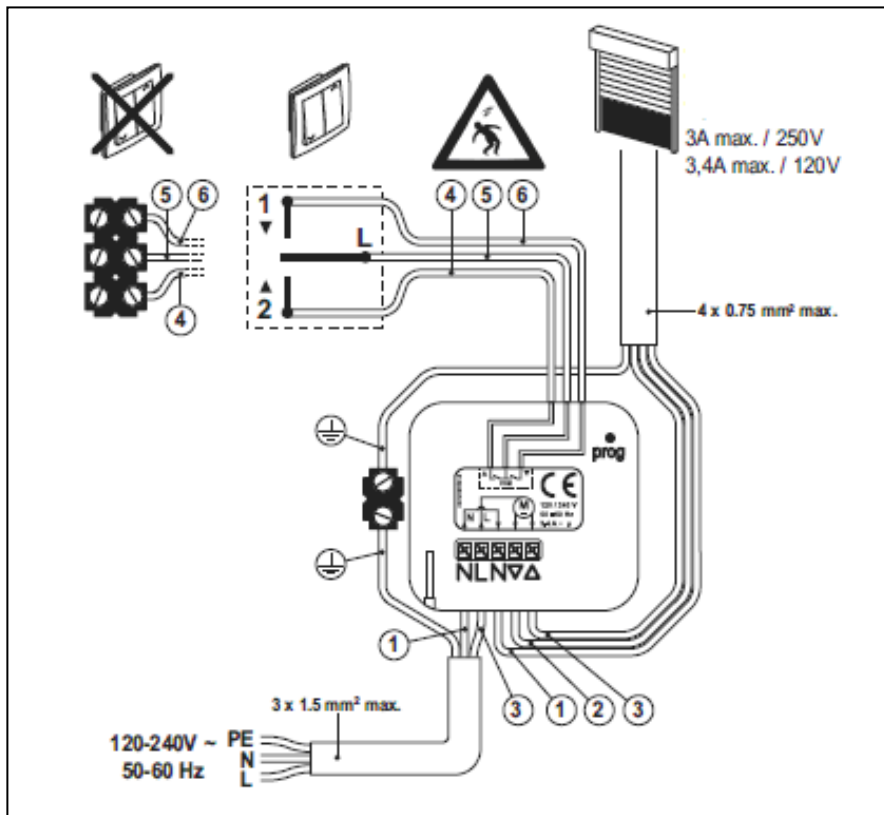
### **Switch compatibility:**

Stable switch (up/ down)  
Instable switch (up/ down)

## INSTALLATION SPECIFICATIONS



### Electrical installation scheme



	FR	GB	DE	NL	ES
⚡	Vert / Jaune	Green / Yellow	Grün / Gelb	Groen / Geel	Verde / Amarillo
1	Bleu	Blue	Blau	Blauw	Azul
2	Marron	Brown	Braun	Bruin	Marrón
3	Noir	Black	Schwarz	Zwart	Negro
4	Vert	Green	Grün	Groen	Verde
5	Blanc	White	Weiß	Wit	Blanco
6	Jaune	Yellow	Gelb	Geel	Amarillo

\* To note = Domino for connection of the grounds not supplied

## COMPATIBILITIES TEST RESULTS

	Compatibilité	
	40mm	50mm et +
France	47%	100%
USA + Canada		100%
Bel + NL	100%	100%
Iberia	33%	pas de produit
Italia	pas de produit	pas de produit
GmbH	0%	100%
Grece	pas de produit	pas de produit
Poland	pas de produit	pas de produit
Tcheque	100%	100%
Other EE	pas de produit	pas de produit
Asia		
Middle East	pas de produit	pas de produit
Others	pas de produit	pas de produit

Legendes:

OK

Compatible

OK(1mm)

Compatible mais avec efforts

NOK(5mm)

Non compatible

		Legrand Celiane	Legrand Sagane	Arnould Espace	Arnould Initia	Legrand MOSAIC	EFFAPEL	ALOMBARD ALBO
France	Schneider Etanche - 40mm	NOK(6mm)	NOK(10.5mm)	OK(1mm)	OK(1mm)	NOK(7mm)	NOK(5mm)	OK(1mm)
	Schneider Etanche - 50mm	OK	OK(1mm)	OK	OK	OK	OK	OK
	Debflex - 40mm	NOK(12mm)	NOK(12mm)	NOK(4mm)	NOK(5mm)	NOK(9mm)	NOK(8mm)	NOK(2mm)
	Debflex - 50mm	OK	OK	OK	OK	OK	OK	OK
	Legrand Batibox sceller - 40mm	NOK(3.6mm)	NOK(8mm)	OK	OK	NOK(4mm)	NOK(2.3mm)	OK
	Legrand Batibox - 40mm	NOK(5mm)	NOK(7.5mm)	OK	OK(1mm)	NOK(5mm)	NOK(3mm)	OK
	Legrand Batibox - 50mm	OK	OK	OK	OK	OK	OK	OK
	Legrand Jaune - 40mm	NOK(10mm)	NOK	NOK(6mm)	NOK(6mm)	NOK(6mm)		NOK(6mm)
	Legrand Jaune - 50mm	OK	OK	OK	OK	OK	OK	OK
Casto - 40mm - BG3	NOK(6mm)	NOK(10.5mm)	OK(1mm)	OK(1mm)	NOK(5mm)	NOK(4.5mm)	OK	

		Leviton 5691	Leviton 3Way 12	SOMFY 5685-2W	HUBBELL HBL1385
USA + Canada	Raco Métallique - 62mm (5) 75*46	OK	OK	OK	OK
	Raco Métallique - 54mm (4) 100*55	OK	OK	OK	OK
	Raco Métallique - 87mm (3) 75*46	OK	OK	OK	OK
	Carlou Plastic - 68mm (2) 74*52	OK	OK	OK	OK
	Carlou Plastic - 84mm (1) 92*55	OK	OK	OK	OK

		Niko 170-01500	NIKO 7059 /10	Chanberlain TCS
Belgium + NL	Legrand (80051) - 50mm	OK	OK	OK
	Legrand double (89352) - 50mm	OK	OK	OK
	Helia 9064 - 61mm	OK	OK	OK
	Helia 341 - 40mm	OK sans griffes	NOK(7mm)	OK
	Helia 351 - 50mm	OK	OK	OK

		Schneider U3	ABB 8144 (sans I	Bticino N4037
Iberia	Famatel - 40mm	OK	NOK(6mm)	NOK(7mm)
	BJC - 40mm (carré)	OK	NOK(7mm)	NOK(7mm)

		Bticino Magic	Bticino Living	Gewiss Pulsante
Italia	Bticino 502 - 50mm	OK	OK	OK
	Bticino 503 - 50mm	OK	OK	OK

	Merten	Gira	Bush Jaeger	Jung	Berker	Eiso	SIEMENS delta 5	NIKO 7069 /10	PEHA
<b>GmbH</b>	Schalterdose - 40mm	NOK	NOK	NOK	NOK	NOK	NOK	NOK	NOK
	Kaiser - 40mm	NOK	NOK	NOK	NOK (3mm)	NOK	NOK	NOK	NOK
	Blass - 40mm	NOK	NOK	NOK	NOK	NOK	NOK	NOK	NOK
	NIEBAUER - 80mm	OK	OK	OK	OK	OK	OK	OK	OK
	Kaiser - 60	OK	OK	OK	OK	OK	OK	OK	OK

	ABB 3559	
<b>Tcheque</b>	KP67/2	OK
	KU68/L	OK
	Ku68	OK